

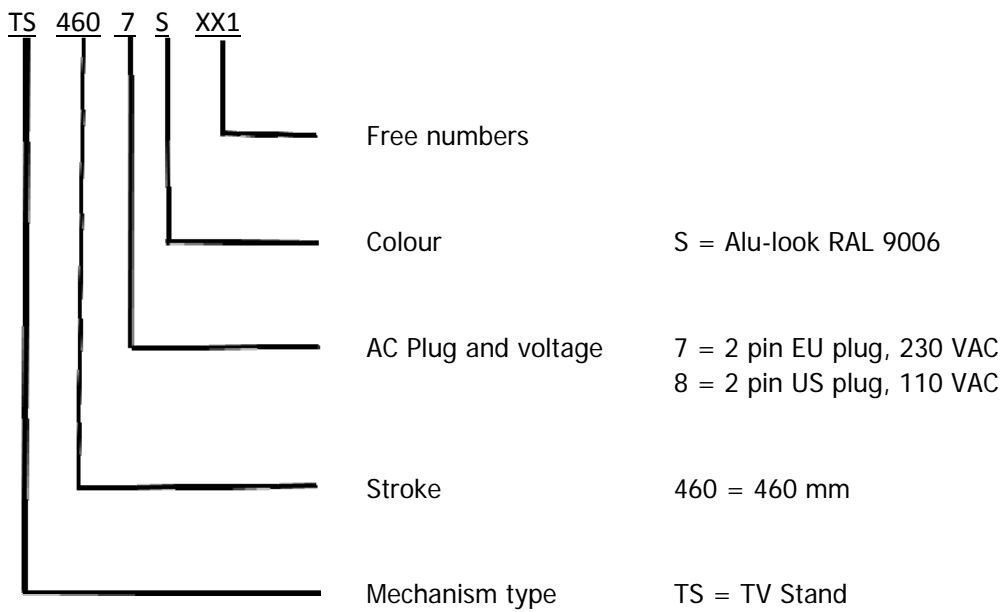
Table of contents

| | |
|-------------------|--------|
| Article numbers | page 3 |
| Packing details | page 4 |
| Bill of materials | page 5 |
| Assembly and use | page 6 |
| Dimensions | page 7 |
| Specifications | page 8 |
| Safety & test | page 8 |

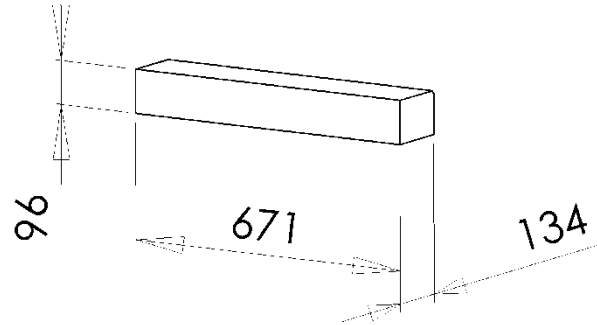
Article numbers

| Article number | EAN code |
|----------------|-----------------|
| TS460 7SXX1 | 5 708499 109550 |
| TS460 8SXX1 | 5 708499 110358 |

Ordering example

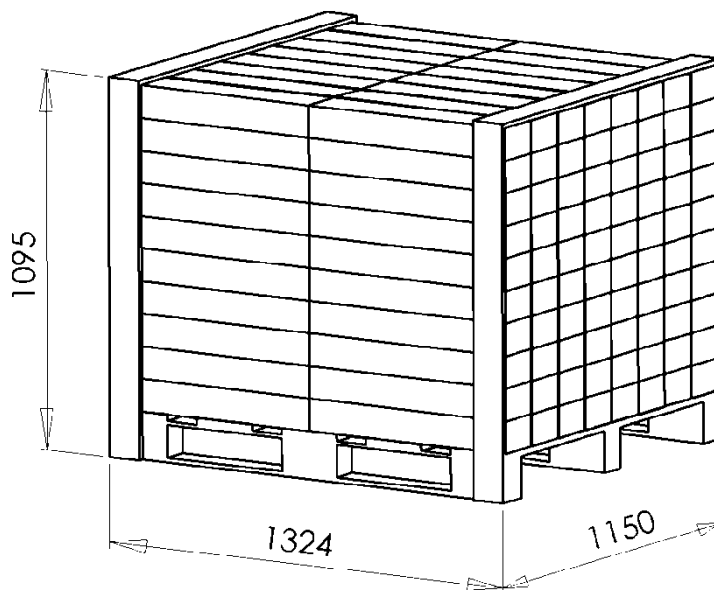


Packing details



1 pcs.

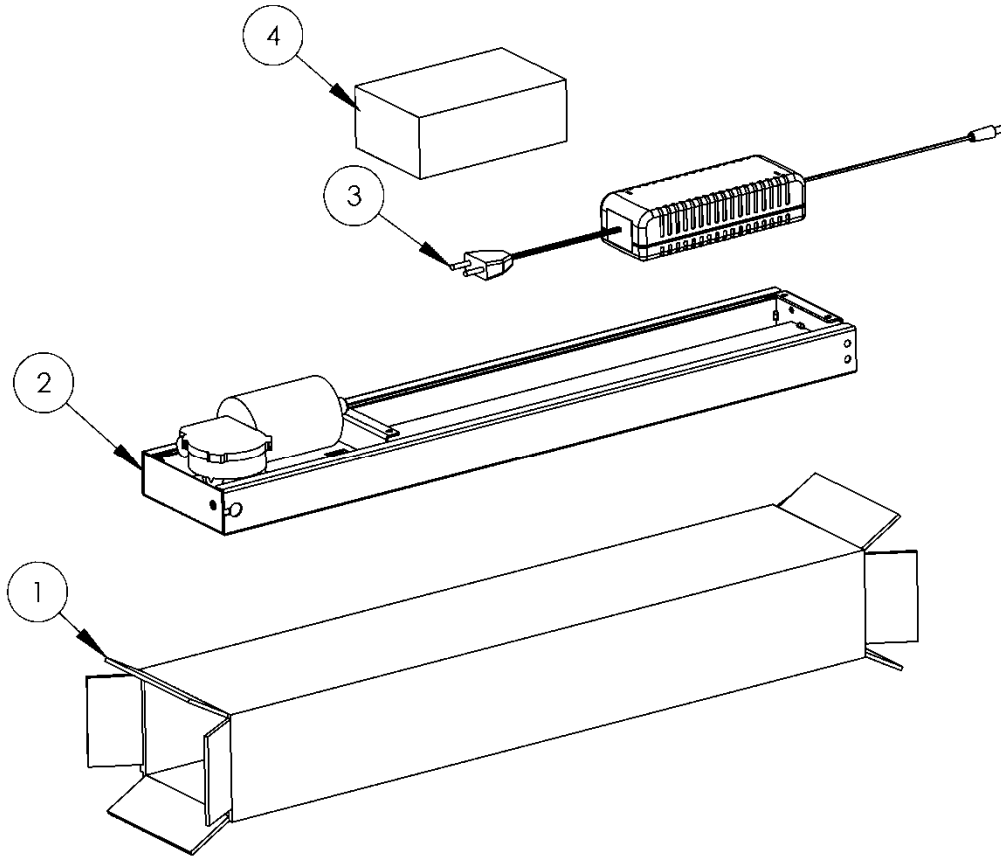
6,3 kg



160 pcs.

1008 kg

Bill of materials

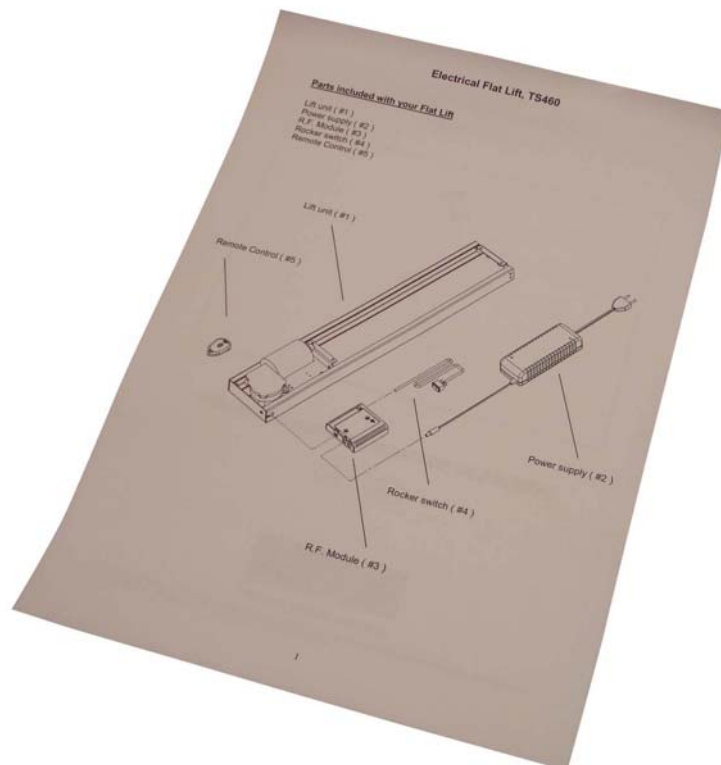


| ITEM NO. | QTY. | PART NO. | DESCRIPTION |
|----------|------|----------|--------------------|
| 1 | 1 | 314410 | Cardboard box |
| 2 | 1 | 109620 | Electric flat lift |
| 3 | 1 | 311850 | SMPS power supply |
| 4 | 1 | 110080 | RF remoteset |

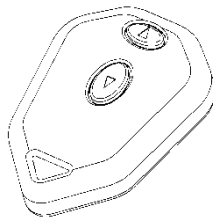
Assembly and use

The electrical components should be connected after mounting the lift. All wires have DC jacks and since using different types (size- male/female) only the correct connection can be made.

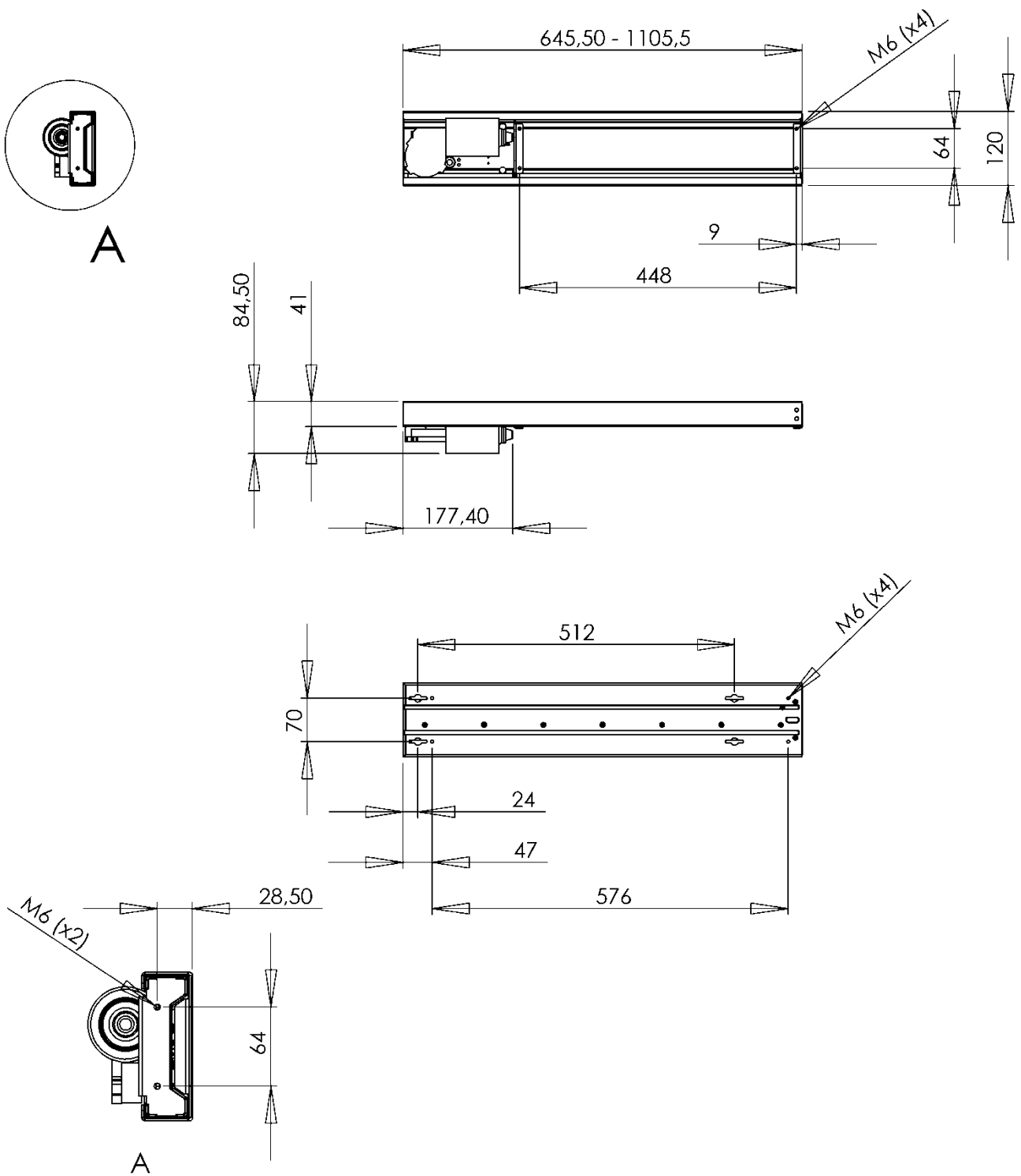
All products come with an instruction manual



The mechanism can now be operated up and down using the supplied remote unit. Push "△" and the lift will expand. Pushing "▽" and the lift will contract.



Dimensions



Specifications**Mechanism**

| | |
|------------------|---|
| Stroke | 460 mm |
| Lifting capacity | 50 kilos |
| Speed | 25 mm/sec |
| VESA*** | 50x50 – 75x75 – 100x100 – 100x200 – 200x200 |

*** MB460 needed

Component

| | |
|---------------------|---|
| Metal sheet parts: | St 37-2 |
| Gear parts: | St 70-2 |
| Gear motor: | CS no. 300047 |
| Power supply: | 120 W AC SMPS Power Transformer (EU versions) 90 W AC SMPS Power Transformer (US versions) Consumption: 120 Watts; Standby: Max 1,2 Watts |
| Plastic components: | PEHD, PA6 |
| Surface treatment | Visible metal parts powder coated in "alu" colour Non visible metal parts are surface treated (e.g. zinc plated) |
| Remote system | RF signal operated (Radio frequency – 433,92Hz) |

Safety & test

Declaration of conformity

We hereby declare, under our sole responsibility that the following products:

- ConSet electric TV-lift mechanism product type TS460

which are covered by this statement, are in conformity with the following standards and other normative documents::

- Counsel Directive 89/336/EØF with later changes
- Counsel Directive 73/23/EØF with later changes

EF – komponenterklæring type "bilag II B"

EEC Declaration of a component "appendix II B"

Fabrikant (navn og adresse):
Manufacturer (name and address): ConSet A/S, Staalvej 14-16, 6900 Skjern, Denmark

Erklærer hermed, at følgende produkt:
Hereby certify that the following product:

Benævnelse, mærke, type: TS460 7SXX1
Description, ID/mark, type: _____

Evt. serienr.:
Serial No. if any: _____

Evt. bemyndigede organ og nr. Teknologisk Institut, Århus, Denmark
Notified body if any: _____

Evt. EF- typeattest:
EEC-type certificate if any: _____

Evt. Harmoniserede standarder:
Harmonised standards if any: _____

Er fremstillet i overensstemmelse med bekendtgørelse nr. 561 af 24. juni 1994, der gennemfører EUROPA-PARLAMENTETS OG RÅDETS DIREKTIV 98/37/EF
Made according to announcement No. 561 of June 24, 1994 that implements the DIRECTIV 98/37/EF

Ovennævnte produkt må **IKKE** tages i brug, før den maskine, hvori det er indbygget eller hvortil det skal anvendes er erklæret i overensstemmelse med alle relevante bestemmelser.
Above product may **not** be taken into use, before the machine into which is has been built in or to which purpose it must be used for, conform to any relevant regulations.

Navn, titel og underskrift af fabrikanten:
Name, title and signature of manufacturer:

05-11-2002
Dato/date

Michael Overgaard, Direktør

Underskrift/signature